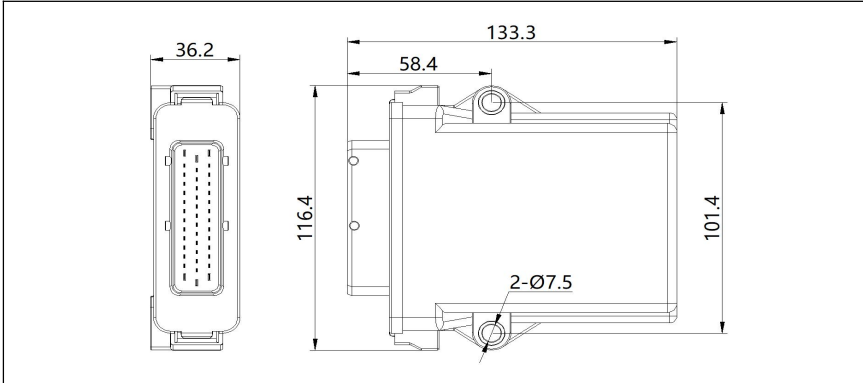


**SPC-SDIO-1412CF**

IO Module  
1 CAN  
Support CANopen  
Working Voltage  
8...32 V DC



**Technical Parameter**

Housing
Dimension (L× W× H)
Installation
Connector
Weight
Working temperature
Protection class
Total number of I/O channels

**Description**

Plastic housing
133.3×116.4×36.2 mm
2pcs M5×20mm screws
42-Pin Tyco
0.25 kg
-40...85 °C
IP67
26 channels (26 Inputs /12 Outputs)

**Input**

Possible configurations

\*All input ports have protection against wrong connection to power supply and grounding protection.

Up to 26 inputs can be configured

Qty	Signal	Remark	
4 or	Analog Digital	0...32V High/Low level configurable	AI <sup>U</sup> DI <sup>H/L</sup>
2	Digital	High/Low level configurable	DI <sup>H/L</sup>
6 or	Frequency Digital	10Hz...30 kHz High/Low level configurable	PI/PI <sup>(AB)</sup> DI <sup>H/L</sup>
6 or	Analog Digital	0...10V High/Low level configurable	AI <sup>U</sup> DI <sup>H/L</sup>
8 or 2	Analog Digital Resistance	4...20mA/0...15V High/Low level configurable 16Ω...10kΩ	AI <sup>I</sup> /AI <sup>U</sup> DI <sup>H/L</sup> AI <sup>R</sup>

PI(AB): 1 quadrature coded input type can be matched;  
High/Low Configurable: means that the high and low valid types of the digital inputs are software configurable and the threshold voltage is software adjustable.

**Output**

Possible configurations

\*All digital output ports have short circuit feedback, short circuit and overheat protection

Configurable up to 12 outputs

Qty	Signal	Remark	
4 or	PWMI_H Digital	PWM High Side Output with Current Feedback High Side Output	PWMI <sup>H</sup> DO <sup>H</sup>
2 or	PWMI_H Digital	PWM High Side Output with Current Feedback High Side Output	PWMI <sup>H</sup> DO <sup>H</sup>
6 or	PWM_H Digital	PWM High Side Output High Side Output	PWM <sup>H</sup> DO <sup>H</sup>

**Voltage Output**

Fixed voltage output
Working voltage UEE

1 channel +5V/+10V, software configurable, 250mA max.
8...32 V DC