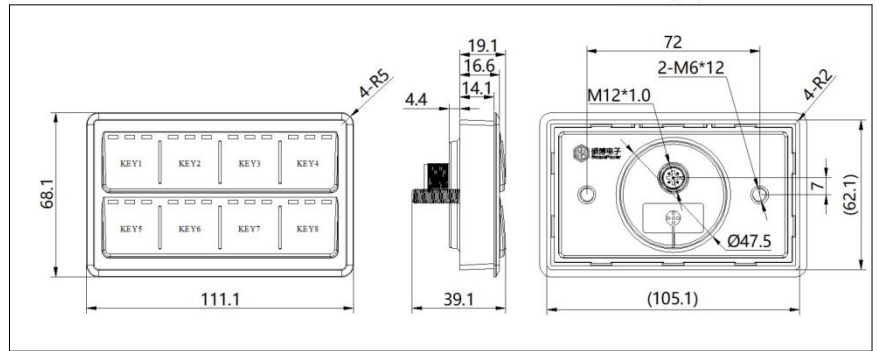


SPM-KEYP-Q08

Operation Panel
1 CAN
8 keys, 1 DO
Working Voltage
8...32 V DC



Technical Parameters

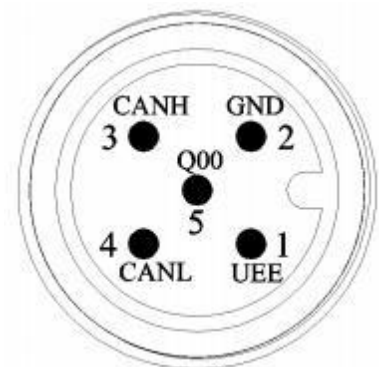
Housing
Dimension(L× W× H)
Installation
Connector
Weight
Working temperature
Storage temperature
Protection class
Key
Key life
Indicator light
Backlight
Output
Working voltage UEE
Current consumption
CAN interface
Baud rate
Node ID
Communication protocol
Processor
EMC

Description

Plastic housing + Silicone panel (hemlines for lower surface mounting)
111.1×68.1×39.1 mm
2 * M6× 20 screws, embedded installation, recommended torque < 1Nm
5 pin M12 A code
0.12 kg
-40...85 °C
-40...85 °C
IP65/IP67 (with cable)
8 Silicone key
500000 times (Mechanical key)
24 high bright LED (8 groups RGB monochrome)
High bright LED , brightness adjustable
1 DO ^H , high side output, Max. Rated drive current 1.5A, which can drive load directly, built-in freewheeling diode
8...32 V DC
≤ 100mA (24 V without external load at 24 V)
CAN 2.0 A/B
20 kbits/s... 1 Mbits/s (default 250 kbits/s)
0x01
User defined
32 -bit high performance MCU
GB/T 17626.4-2008/IEC61000-4-4: 2004
GB/T 17626.5-2008/IEC61000-4-5: 2005
GB/T 17626.2-2006/IEC61000-4-2: 2001

Definition table of connectors

Pin	Function	Description	Remark
01	UEE	Power positive	8...32 V DC
02	GND	Power ground	
03	CANH	CAN bus (high)	CAN communication, no built-in terminating resistor by default unless otherwise specified
04	CANL	CAN bus(low)	
05	Q00	DO ^H	High side output, built-in freewheeling diode



Matched female connector	5 pin M12 female A code cable
--------------------------	-------------------------------